

**AKIRA**  
makes life better

---

**LCT TV**  
**Service Manual**

**MODEL:  
LCT-30KXSTP**

## CONTENTS

SPECIFICATION .....	4
CIRCUIT DIAGRAM .....	7
PCB BOARD .....	25
EXPLODED VIEW .....	32
PART LIST .....	33

## **SPECIFICATION**

### **FEATURES:**

- Power supply: AC 100~240V 50/60Hz
- Multi TV system: PAL BG /DK /I /M /N, NTSC M/N, SECAM BG /DK /LL'
- Multi standard sound processors: NICAM, FM-stereo, BTSC
- Multi Video system: PAL /NTSC /SECAM
- Versatile input sources: TV, Video, S-Video, Scart, YcbCr, YpbPr, DVI, PC (analog)
- Full function remote controller
- Excellent sound effect with volume, trable, bass, balance AVC adjustable, Audio mode, special effect, equalizer
- Smart sound & picture mode set: Personal, cinema, speech, music, standard, personal, bright, mild
- Adaptive 2/4 line comb filter for PAL /NTSC
- VTR for weak and distoreted signal from video tape recorder
- 10 pages teletext
- Automatically turn off the set when signal absent longer than 10 minutes.
- 135 channels
- Blue screen display
- CC /V-CHIP
- Freeze picture
- Program label
- Time off/ On
- Screen size change
- Standby
- Channel swap

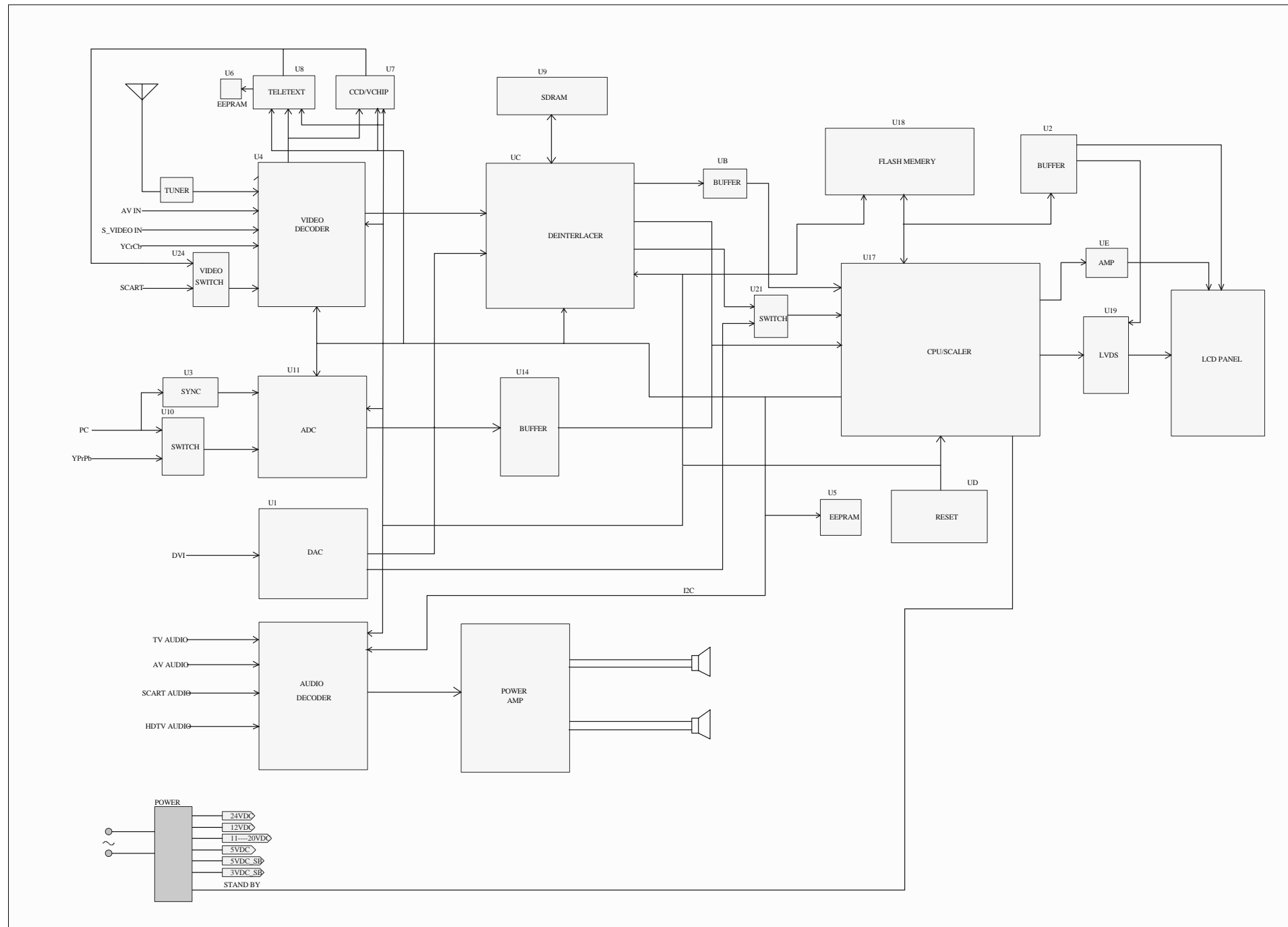
**GENERAL SPECIFICATION**

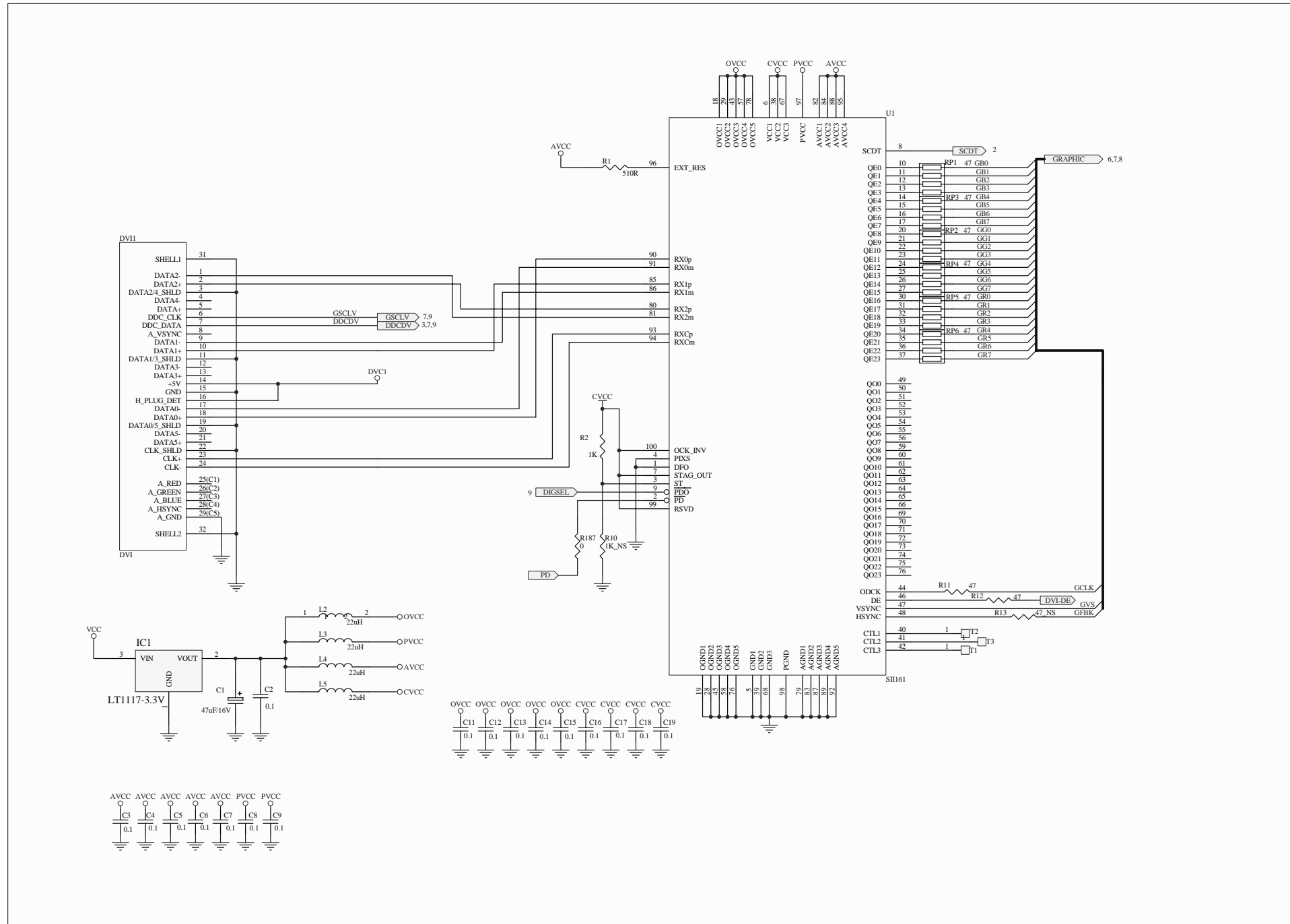
<b>PART 1: TV SET</b>	
Power consumption	200watt (max)
	≤3watt (stby)
TV receive system	PAL D/K I B/G M/N SECAM L/L' D/K B/G NTSC M/N
Video system	Multi PAL /SECAM /NTSC
Vision intermediate frequency	38.9MHz, 33.95MHz (L')
Inter-carrier frequency	5.5 MHz (B/G)
	6.0 MHz (I)
	6.5 MHz (D/K, L/L')
	5.85 MHz (NICAM B/G, D/K, L)
	6.55 MHz (NICAM I)
	5.74MHz (GERMAN STEREO)
	4.5MHz (BTSC)
CHROMA if frequency	BG /DK/ L: 34.47MHz
	L': 38.38MHz
Channels received	VHF-L 46.25 - 163.25MHz
	VHF-H158.25 - 466.25MHz
	UHF 471.25 - 855.25MHz
Tuning mode	PLL SYSTEM
AV In /Out	1 AV in, 1 S-Video In
	21 pin Scart in, YcbCr In, YpbPr IN
	1 AV out
AV In /Out specification	Y/C IN-Y: $1.0 \pm 0.2V_{p-p}$ $75\Omega$ C: $0.7V_{p-p}$ $75\Omega$
	Video In --- $1.0 \pm 0.2V_{p-p}$ $75\Omega$
	Audio In --- Approx, 500mV
	Video Out --- $1.0 \pm 0.2V_{p-p}$ $75\Omega$
	Audio Out --- Approx, 400mV
	RGB In: $\leq 0.7V_{p-p}$
Antenna input impedance	$75\Omega$
OSD language	English /Spanish /Italian
	Russian /French
Audio output power	6W x 2 (1KHz, 0.5Vrms, 10%THD)
LED indicator	Continue shine POWER ON
	Flash standby
Hand set power supply	Battery 1.5V (AAA) x 2

<b>PART 2: PC RESOLUTION</b>			
Analog RGB In		0.7V <sub>p-p</sub>	
DVI In		0.7V <sub>p-p</sub>	
RESOLUTION	V.Feq (Hz)	h. Freq. (Hz)	Graphic Mode
640 x 480	59.940	31.469	VGA
800 x 600	60.317	37.879	VGA
1024 x 768	60.004	48.363	VGA
1280 x 768	59.870	47.776	VGA

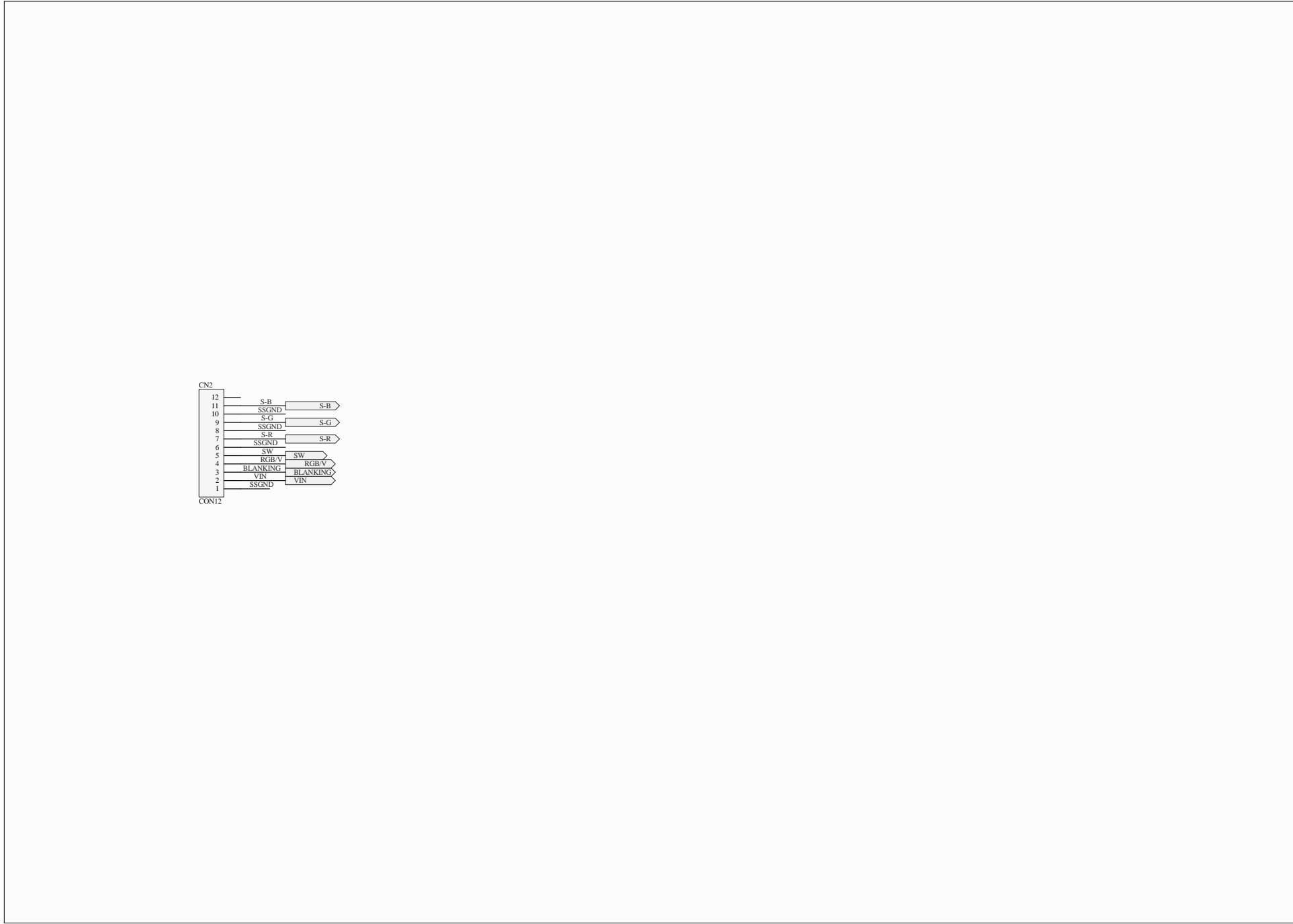
<b>PART 3: PANEL</b>	
Brand & model	AU /T290XW01-V5 OR CHIMEI /V296W1-L05
Resolution	1280 x 768
Displayable color	16.7MHz
Surface	Hard coating + Anti-Radiation
Viewing Angle (H/V)	170° (Hor) /170° (Ver)
Display Response Time	16ms
Contrast Ratio	1:600
Brightness	550nit
Aspect	16:9
Lamp Life	50,000Hrs
Bad Pixel Quality (Bright /Dark /Total)	2 /6 /8

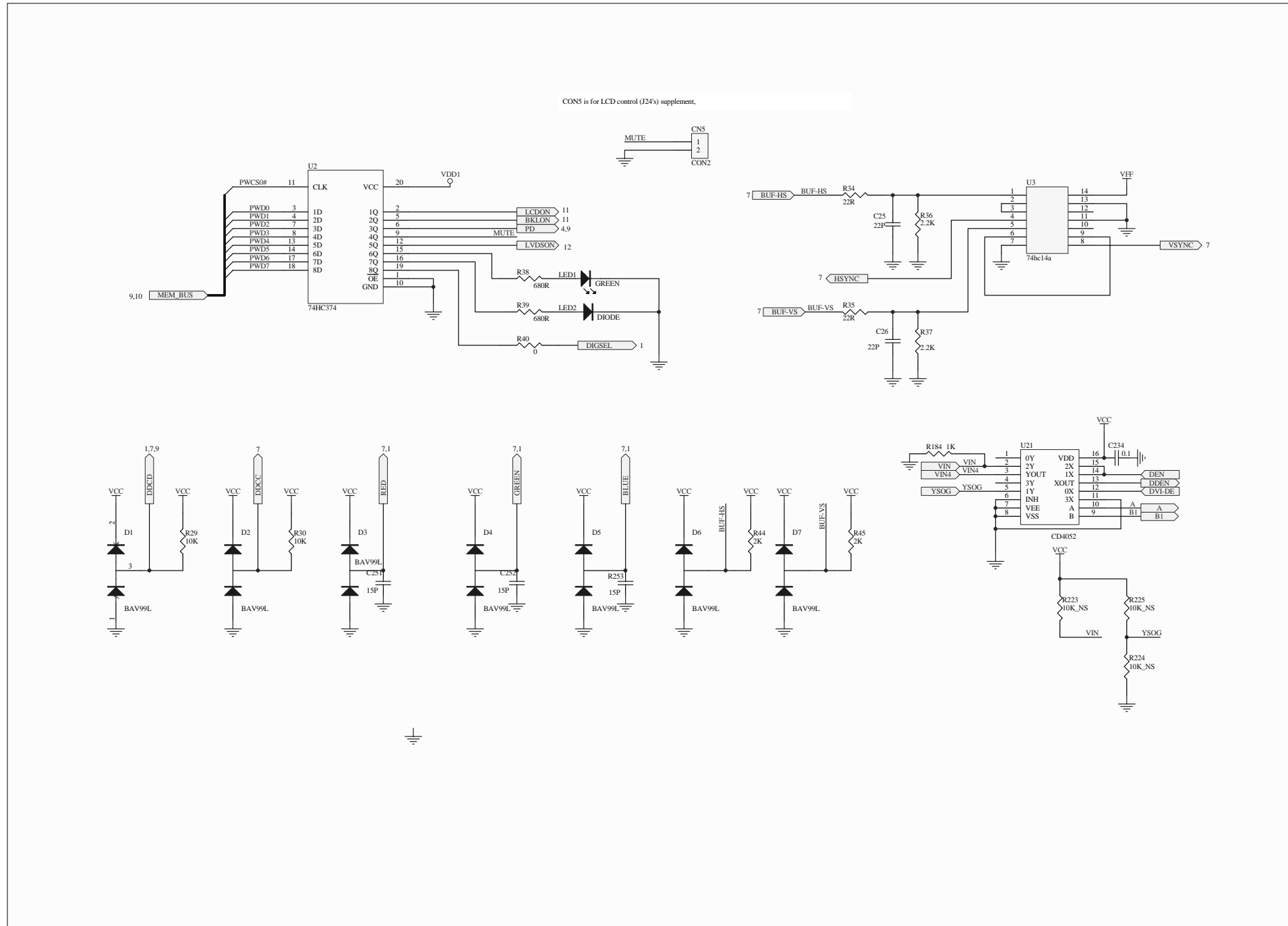
## CIRCUIT DIAGRAM

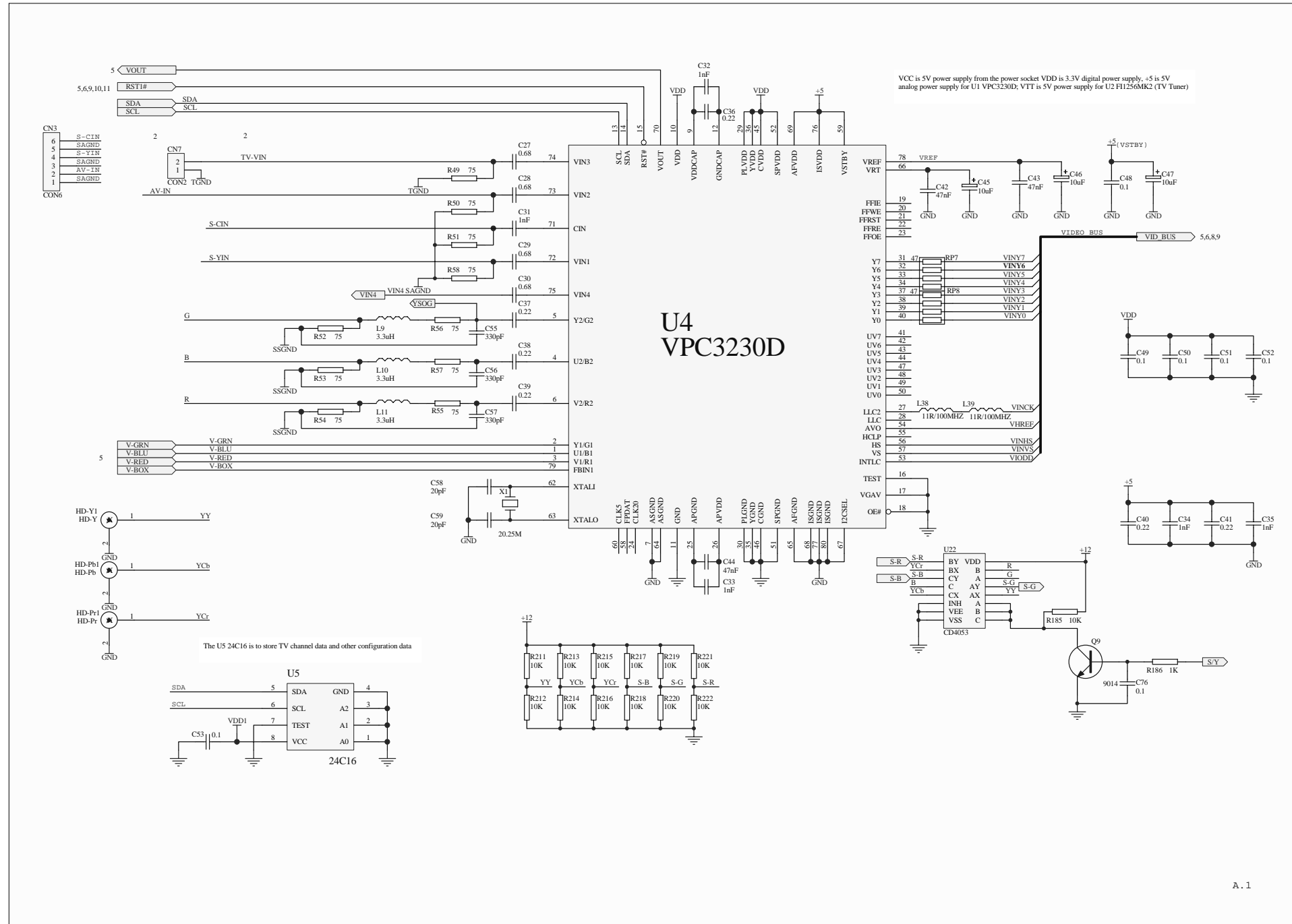


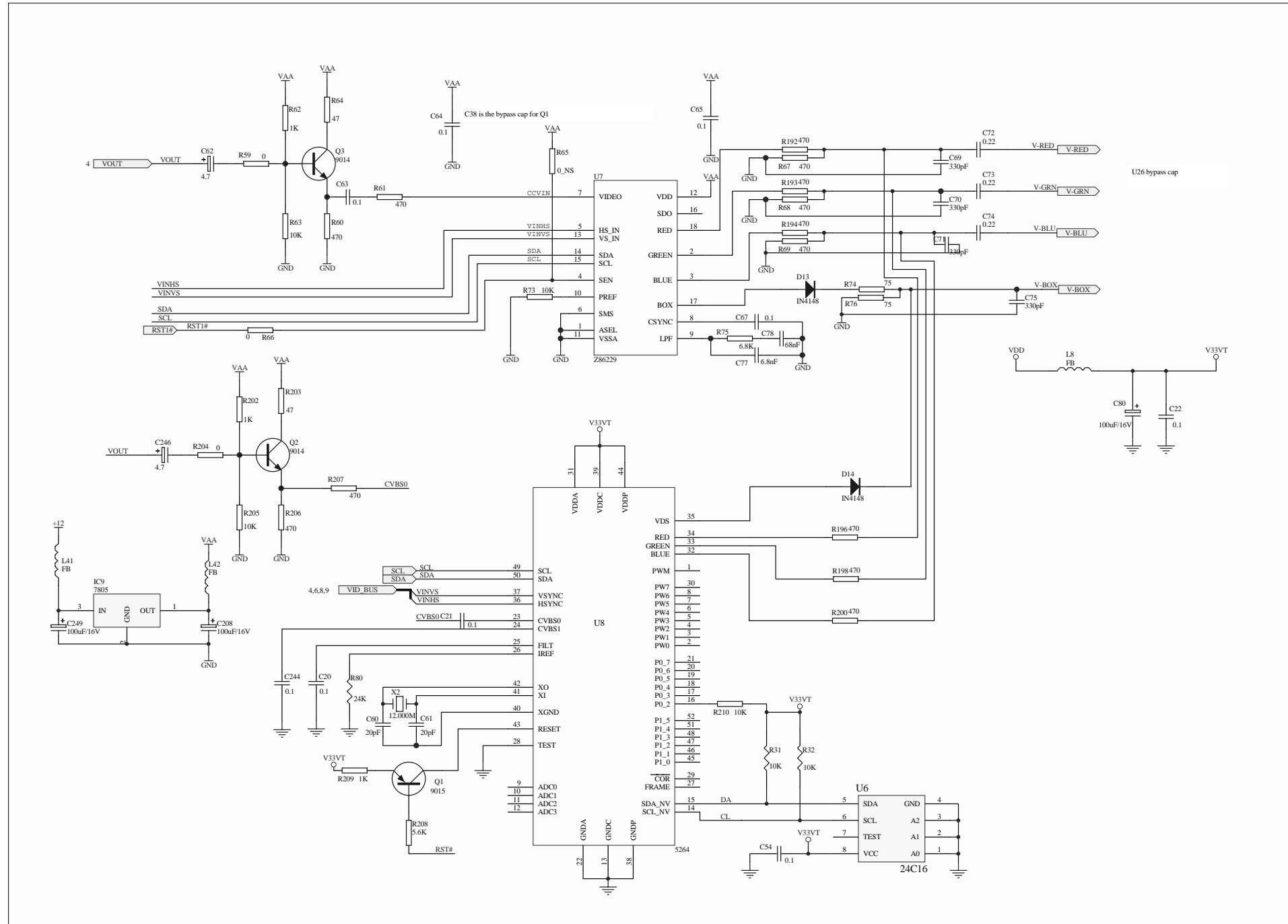


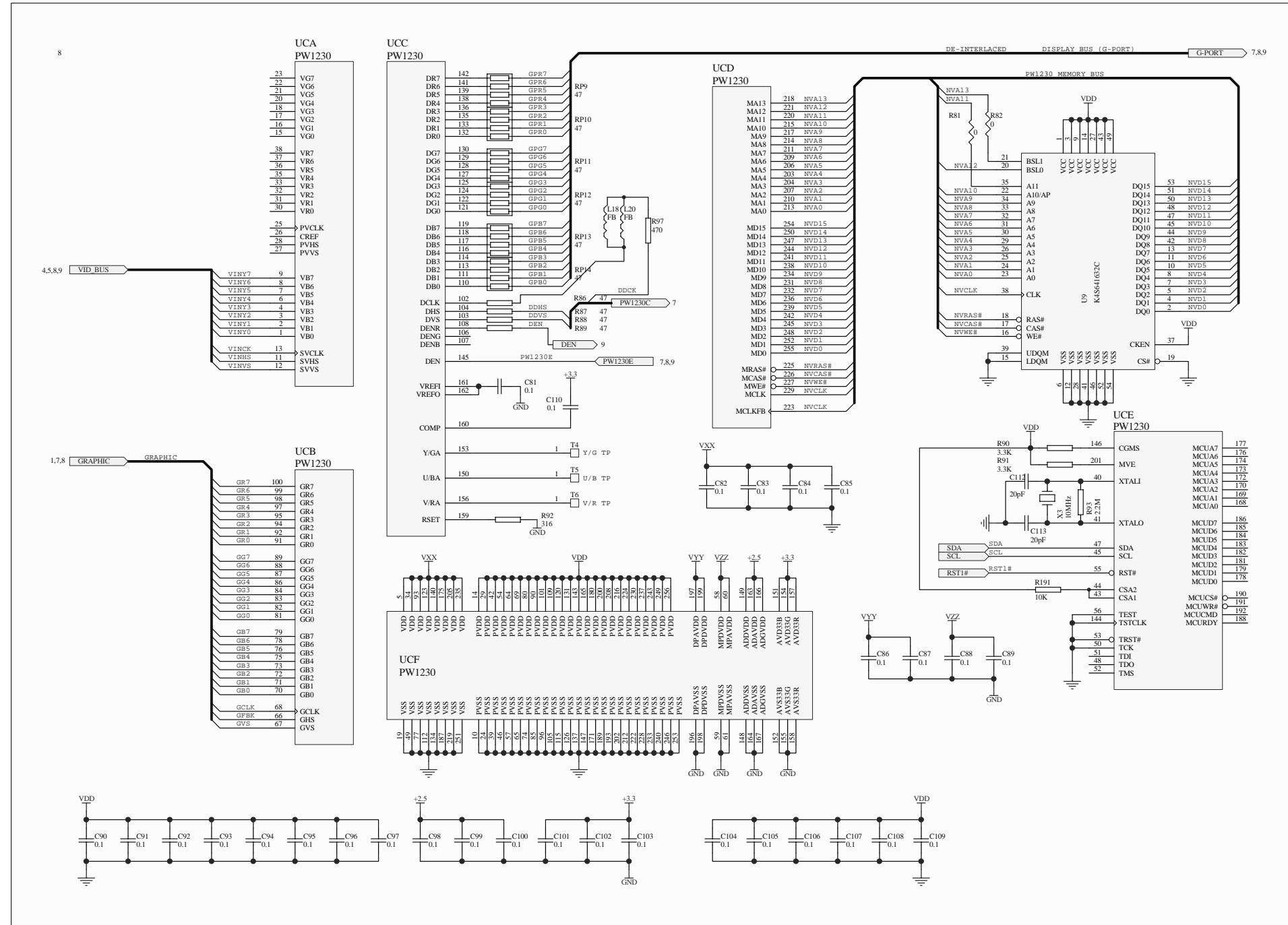


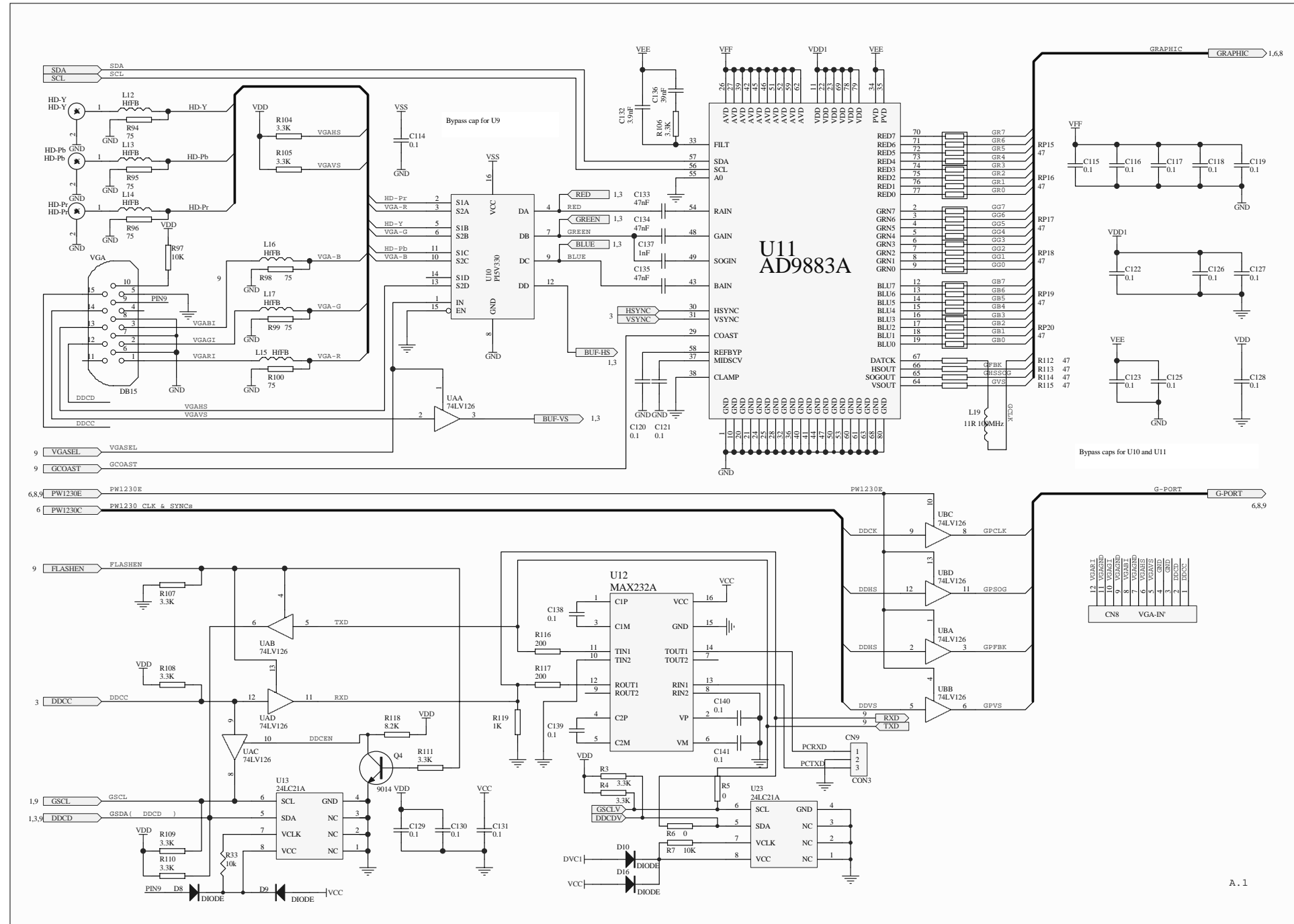




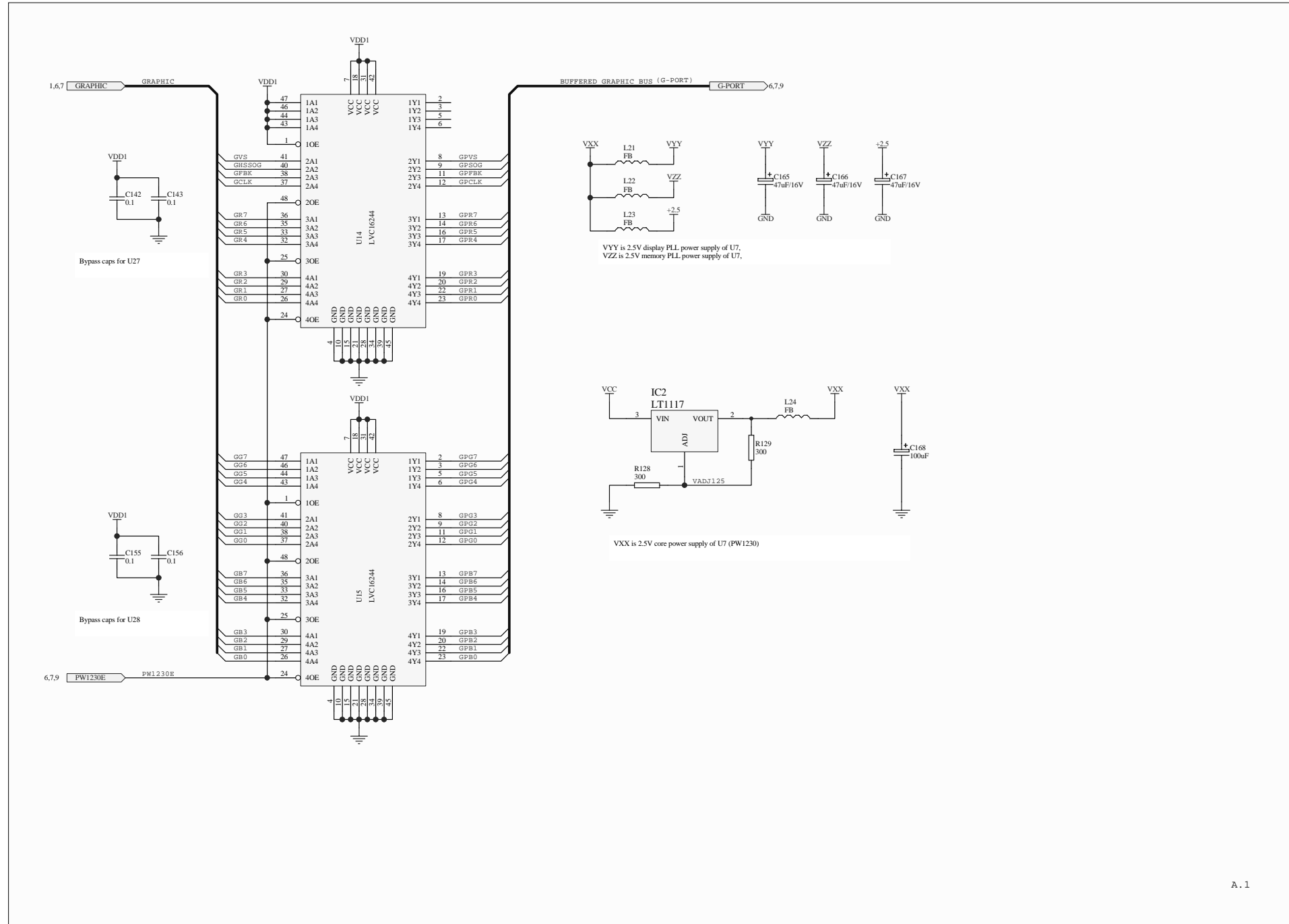




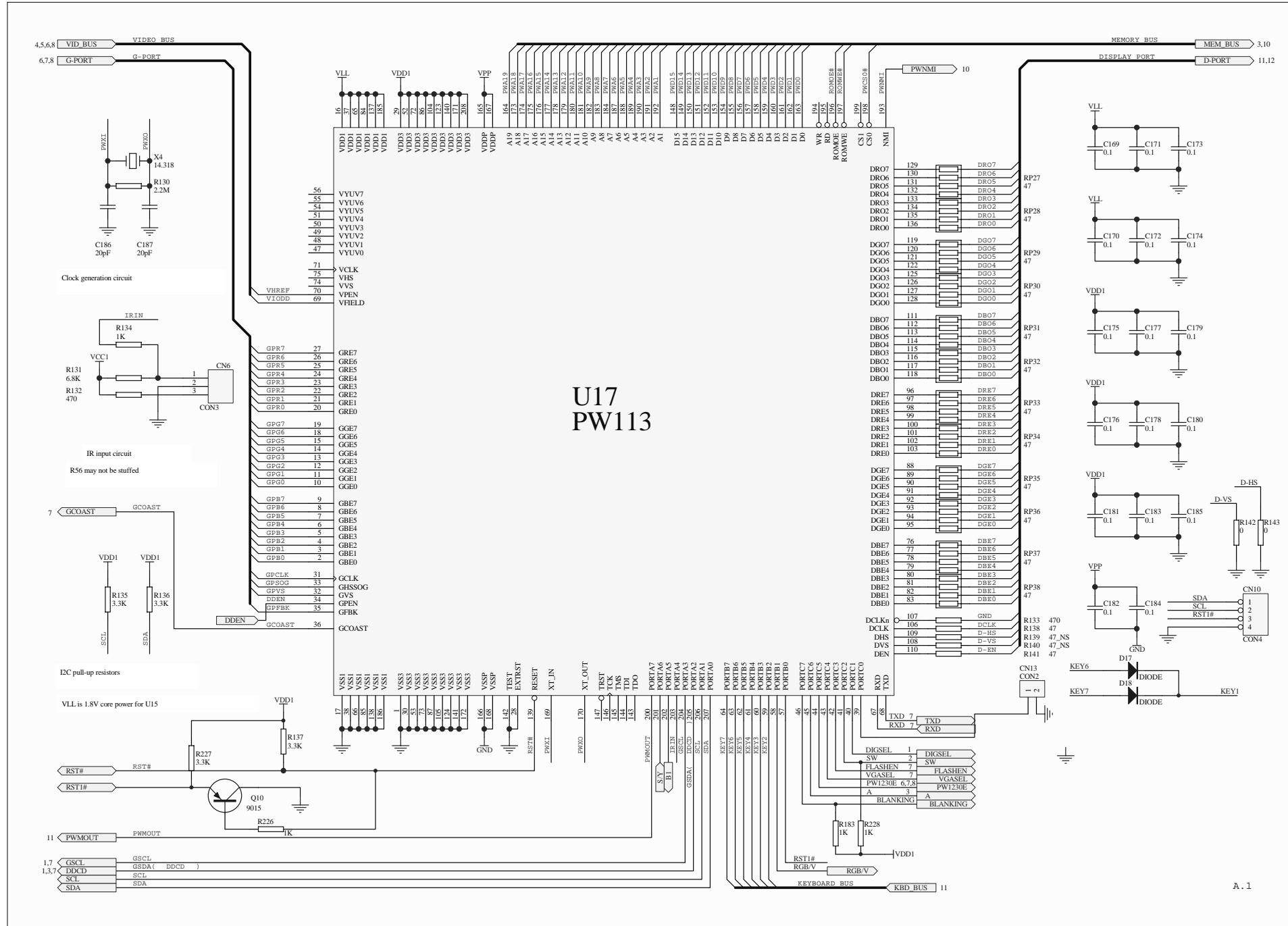




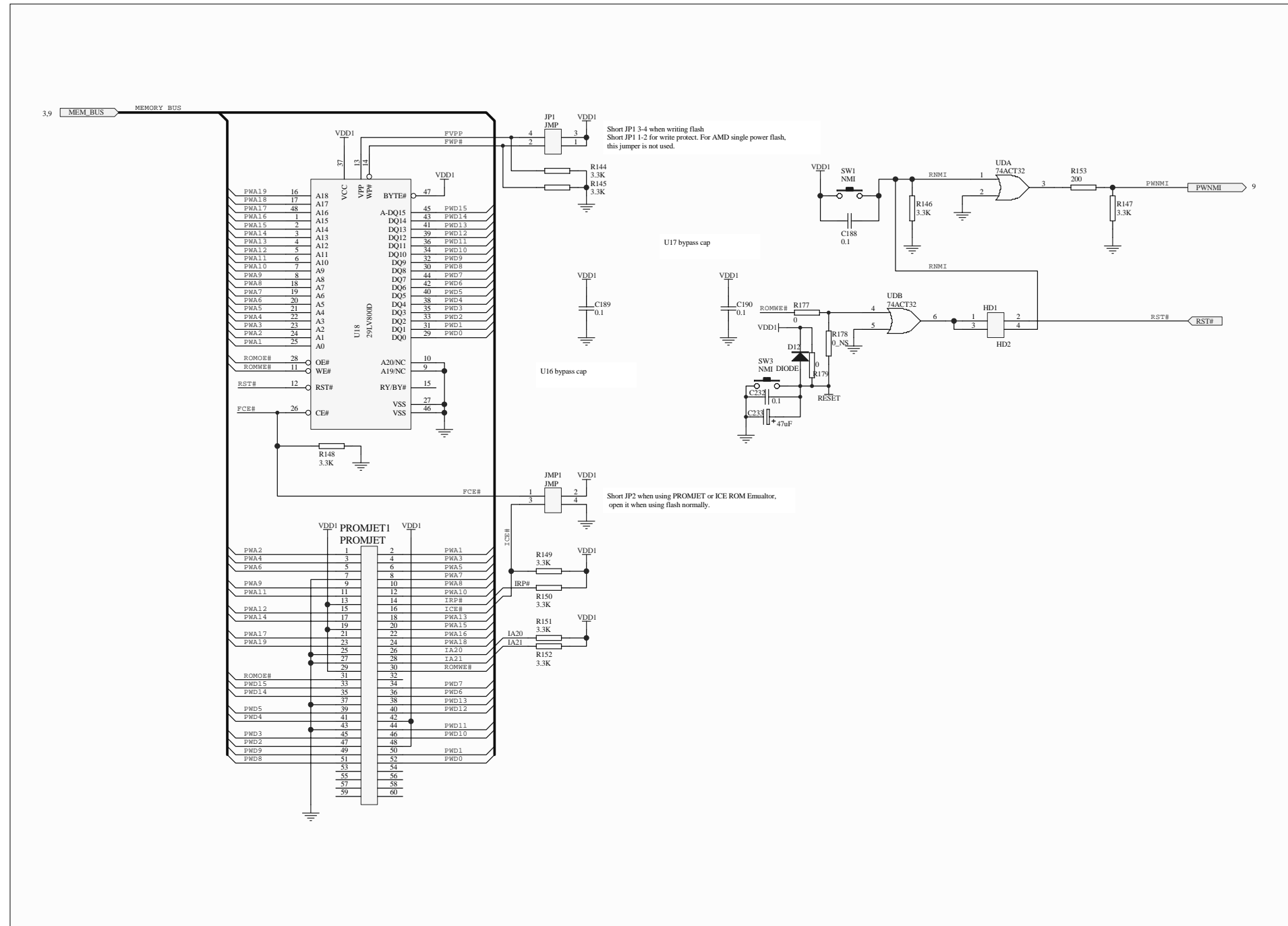
A.1

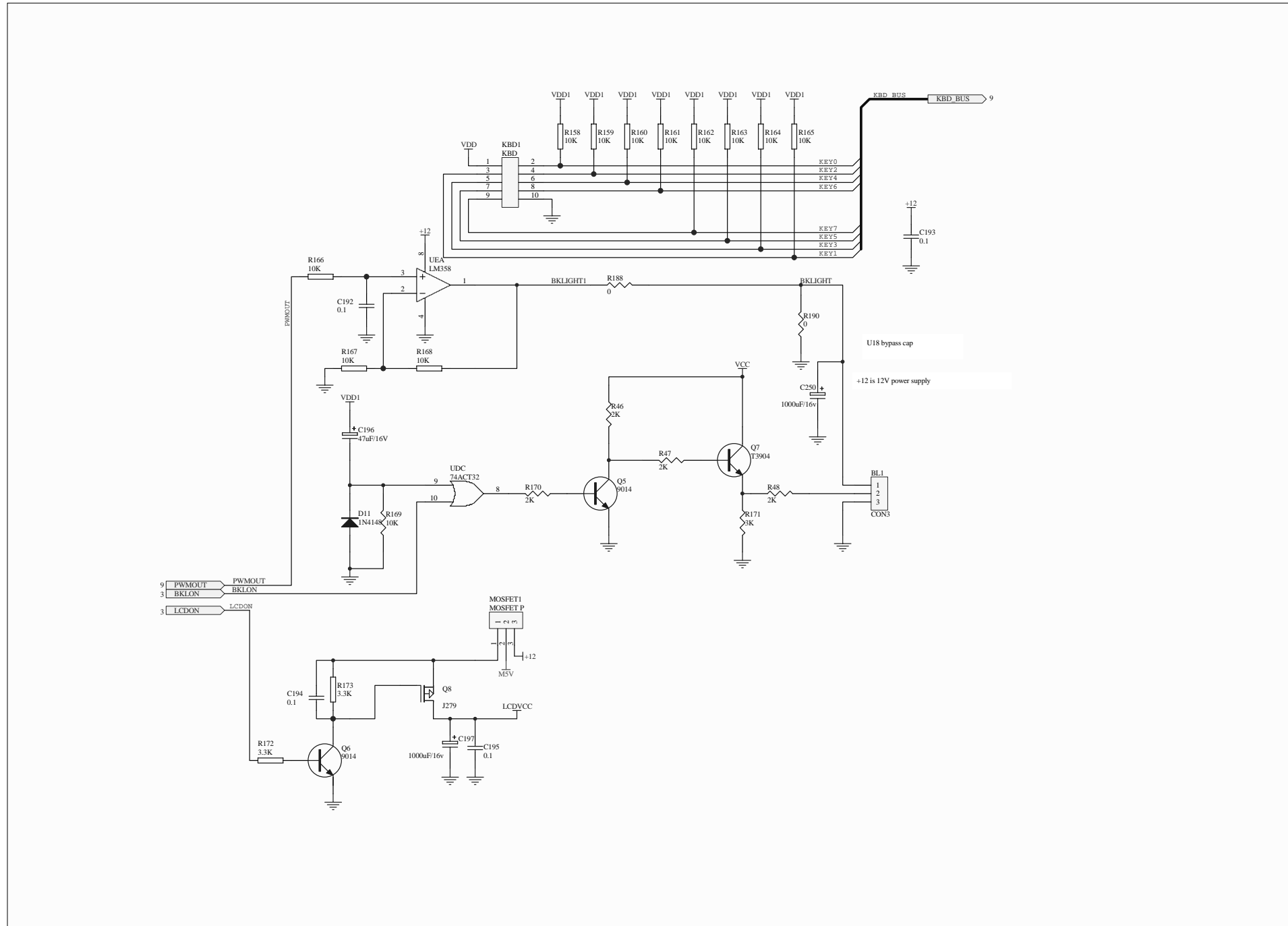


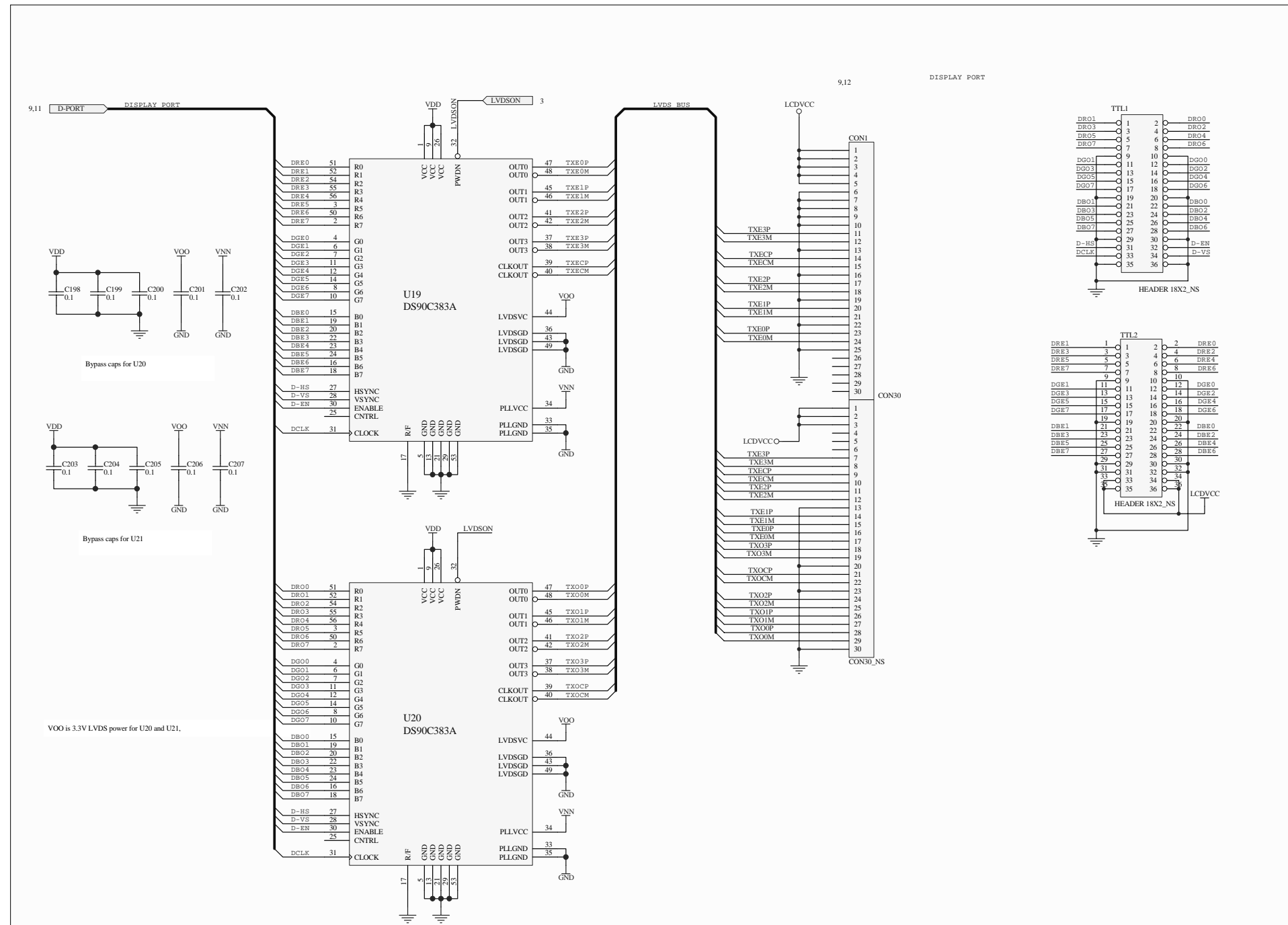
A.1

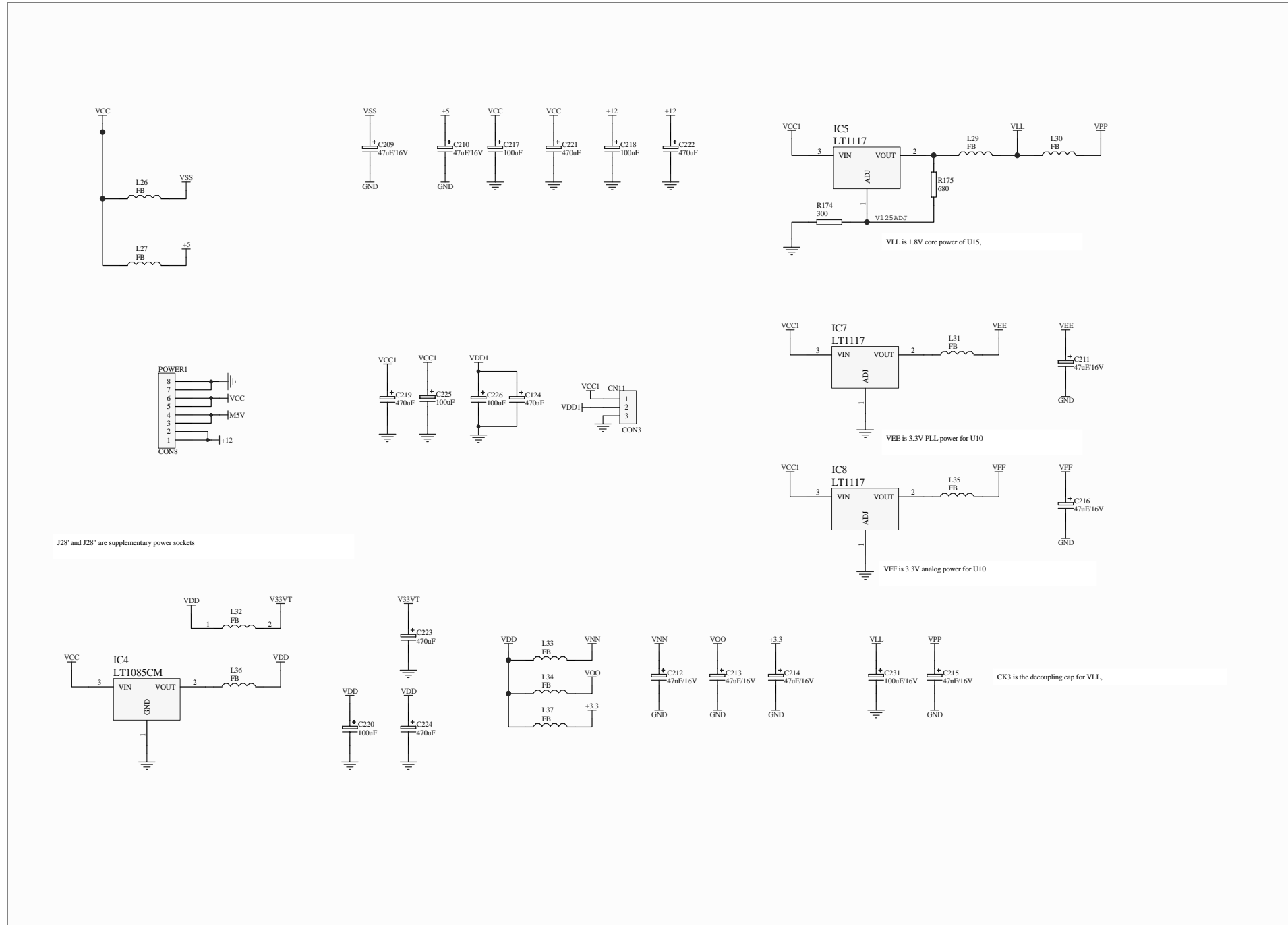


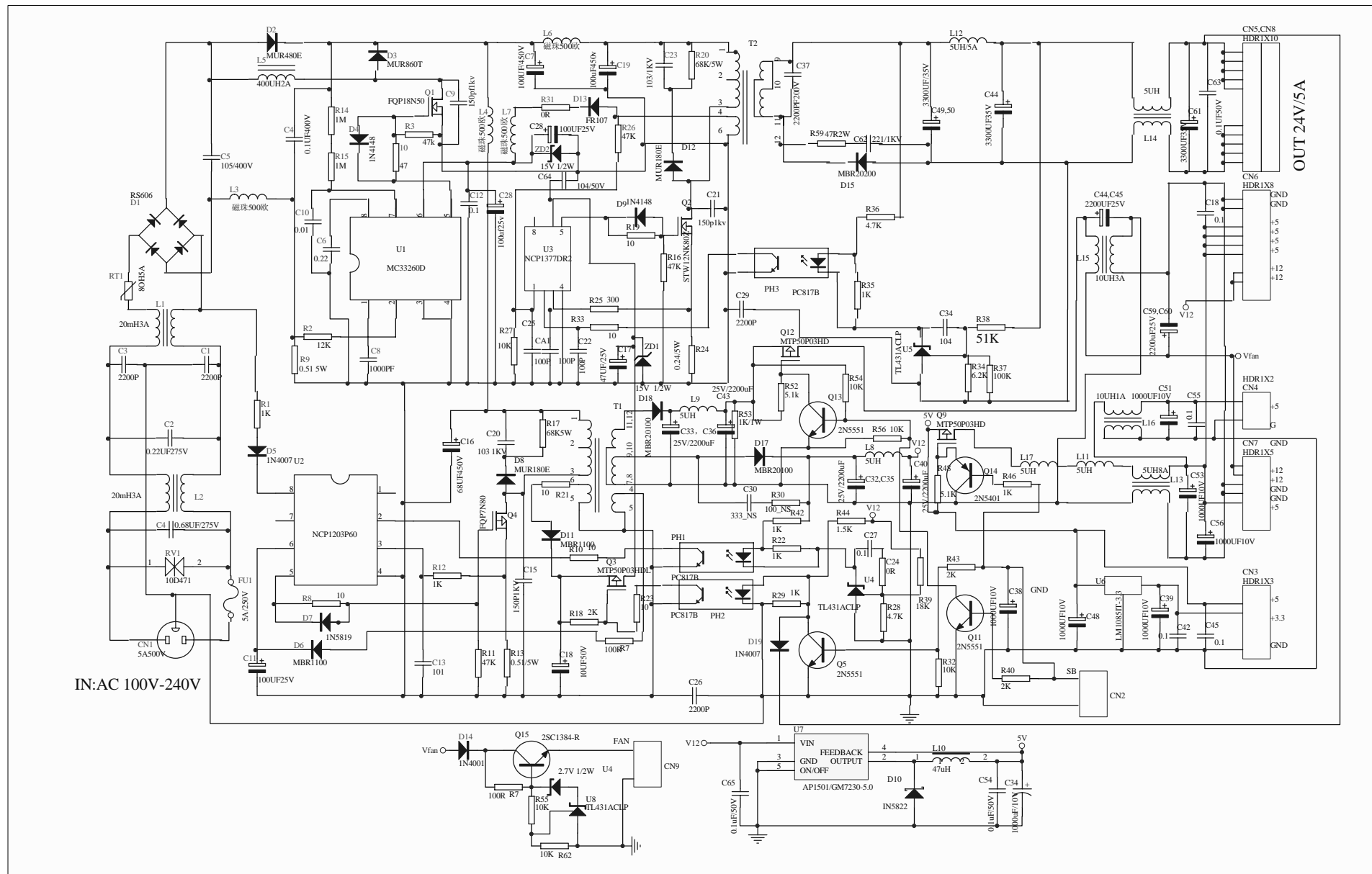


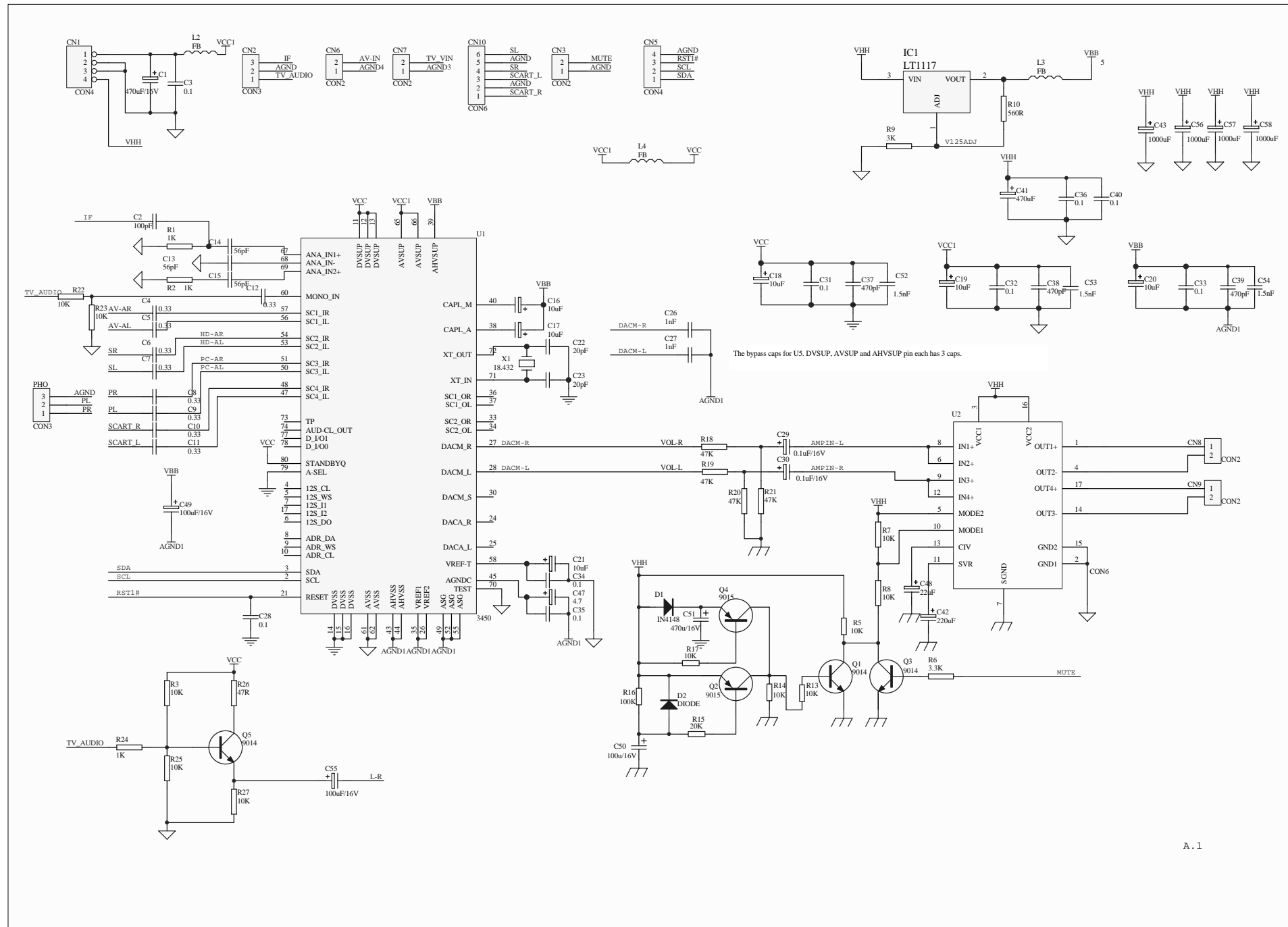


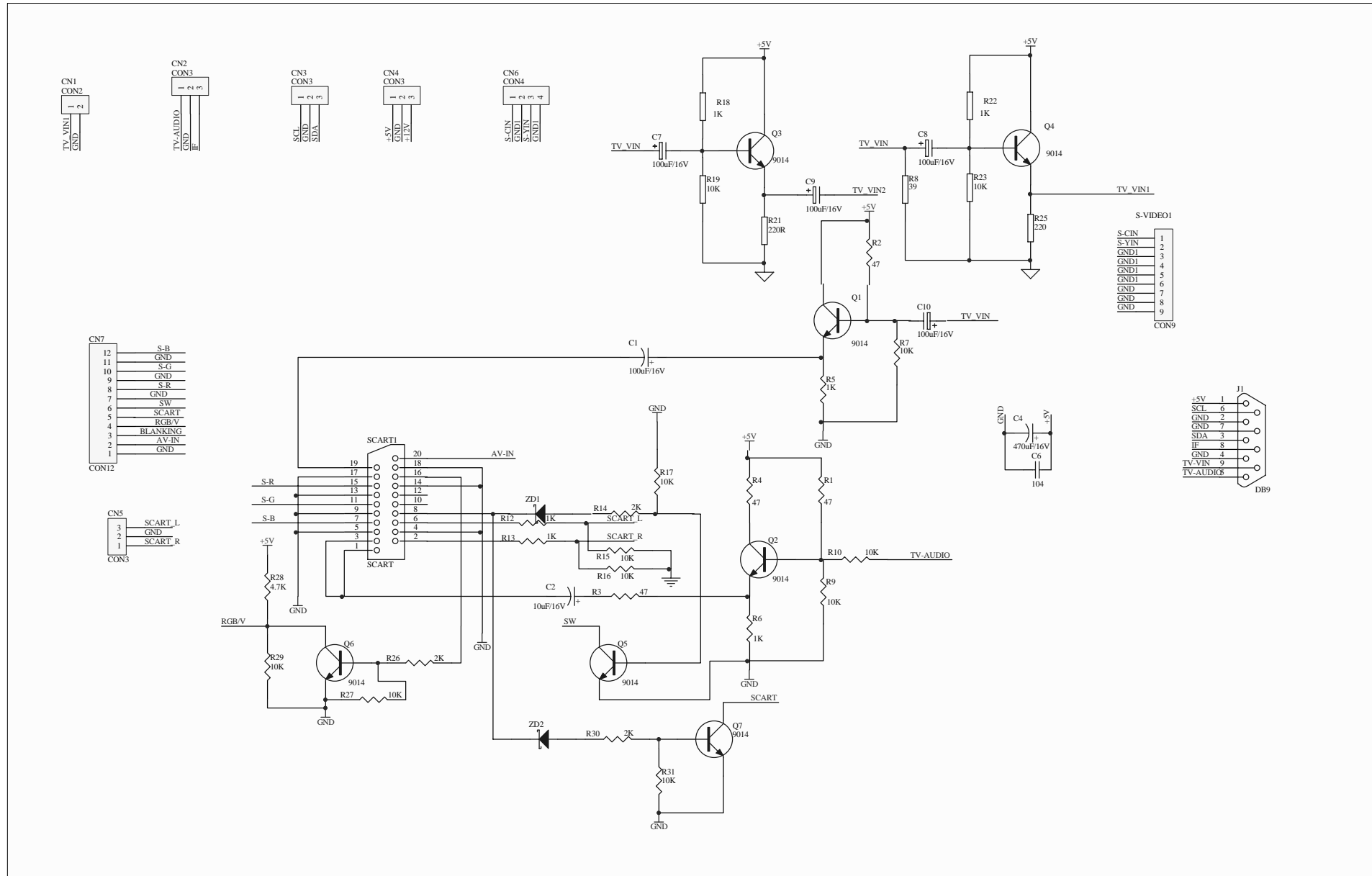


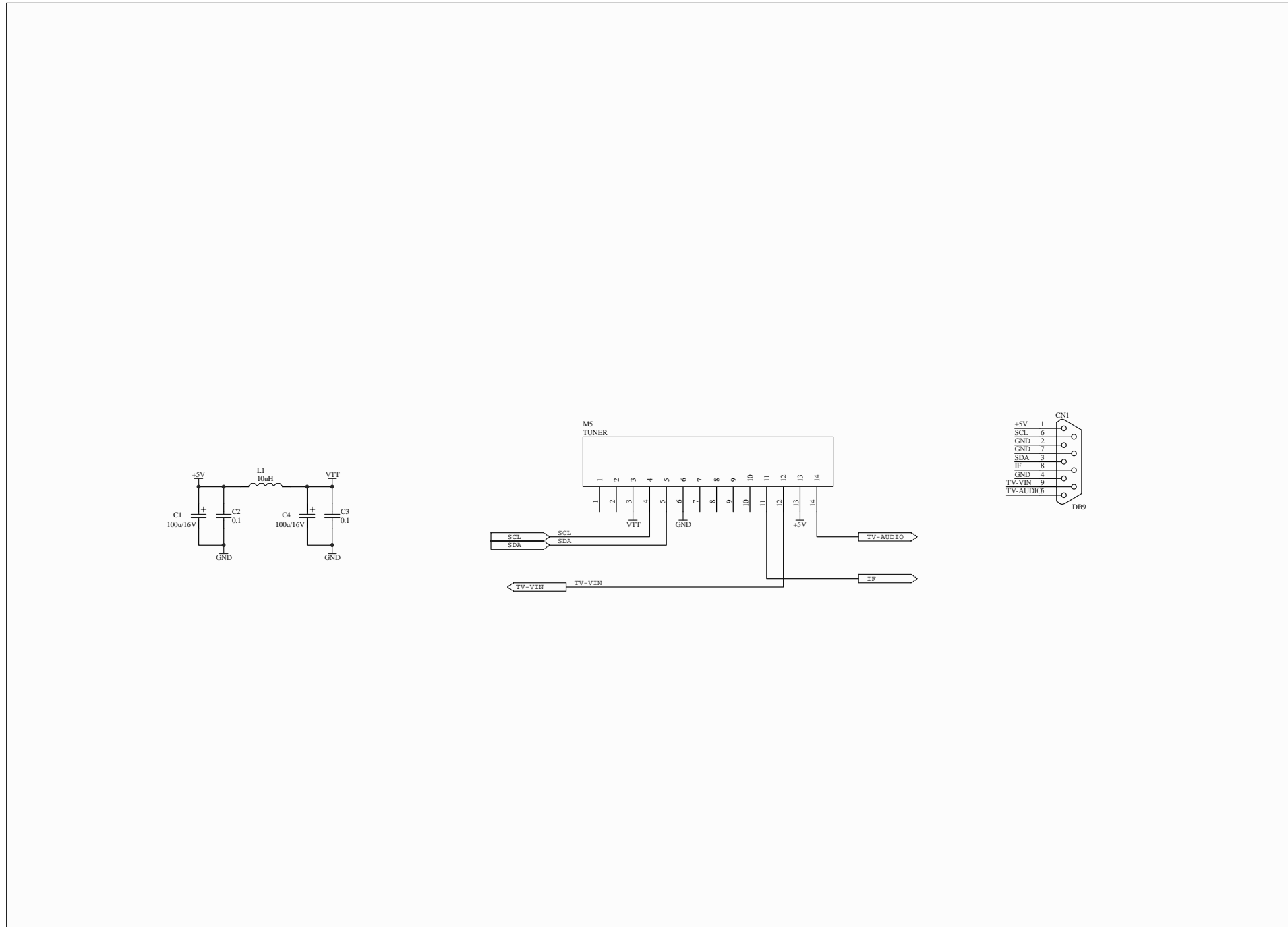






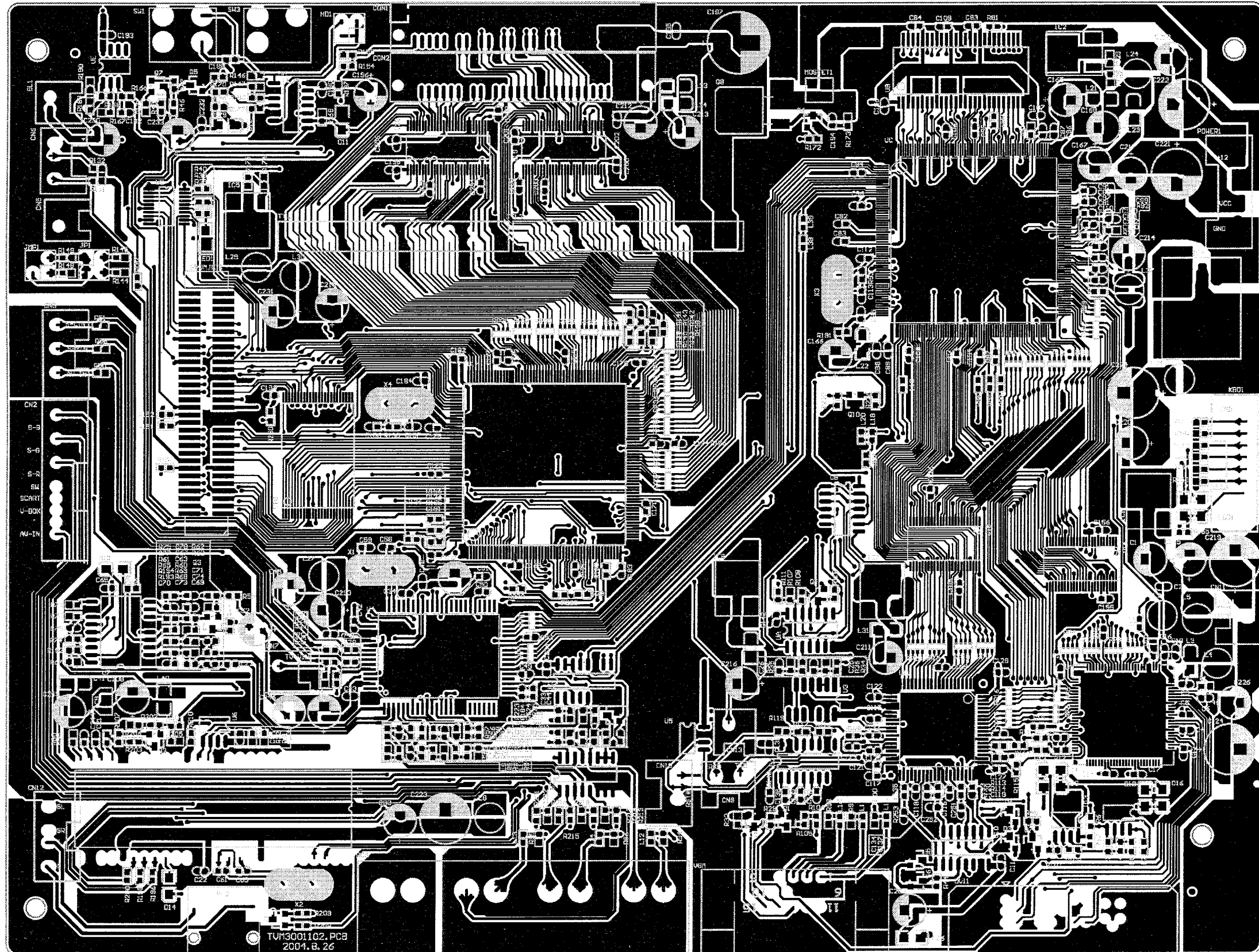


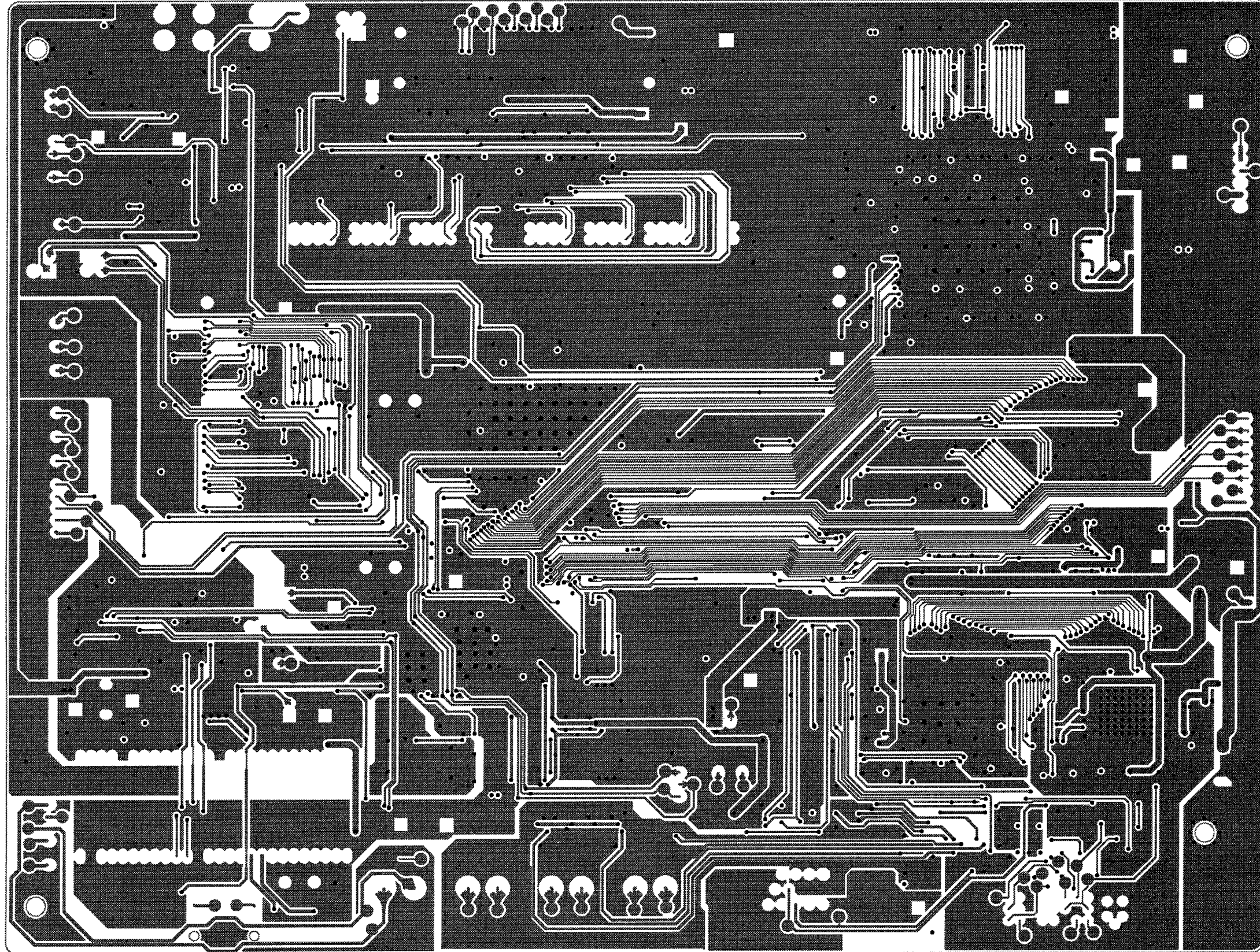


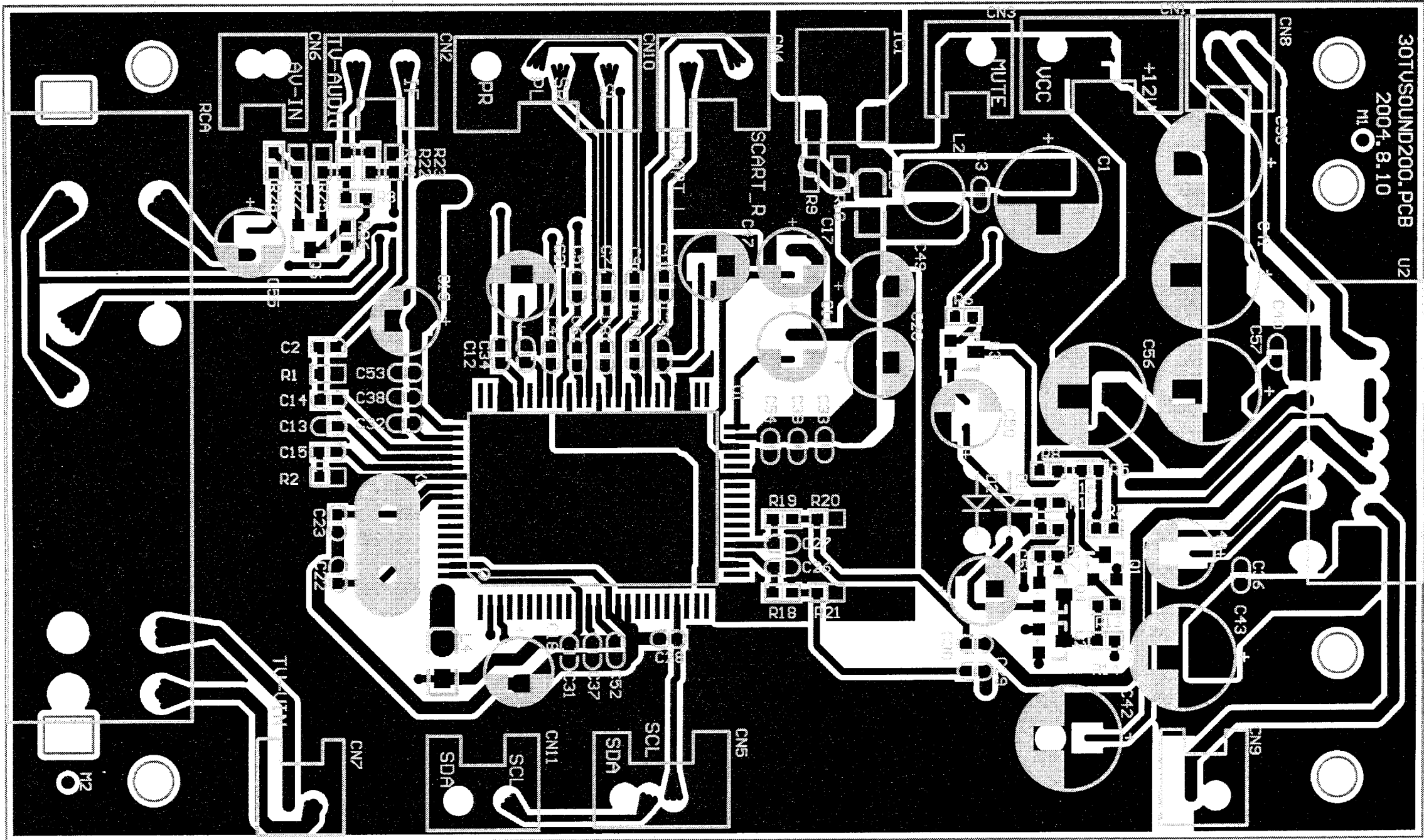


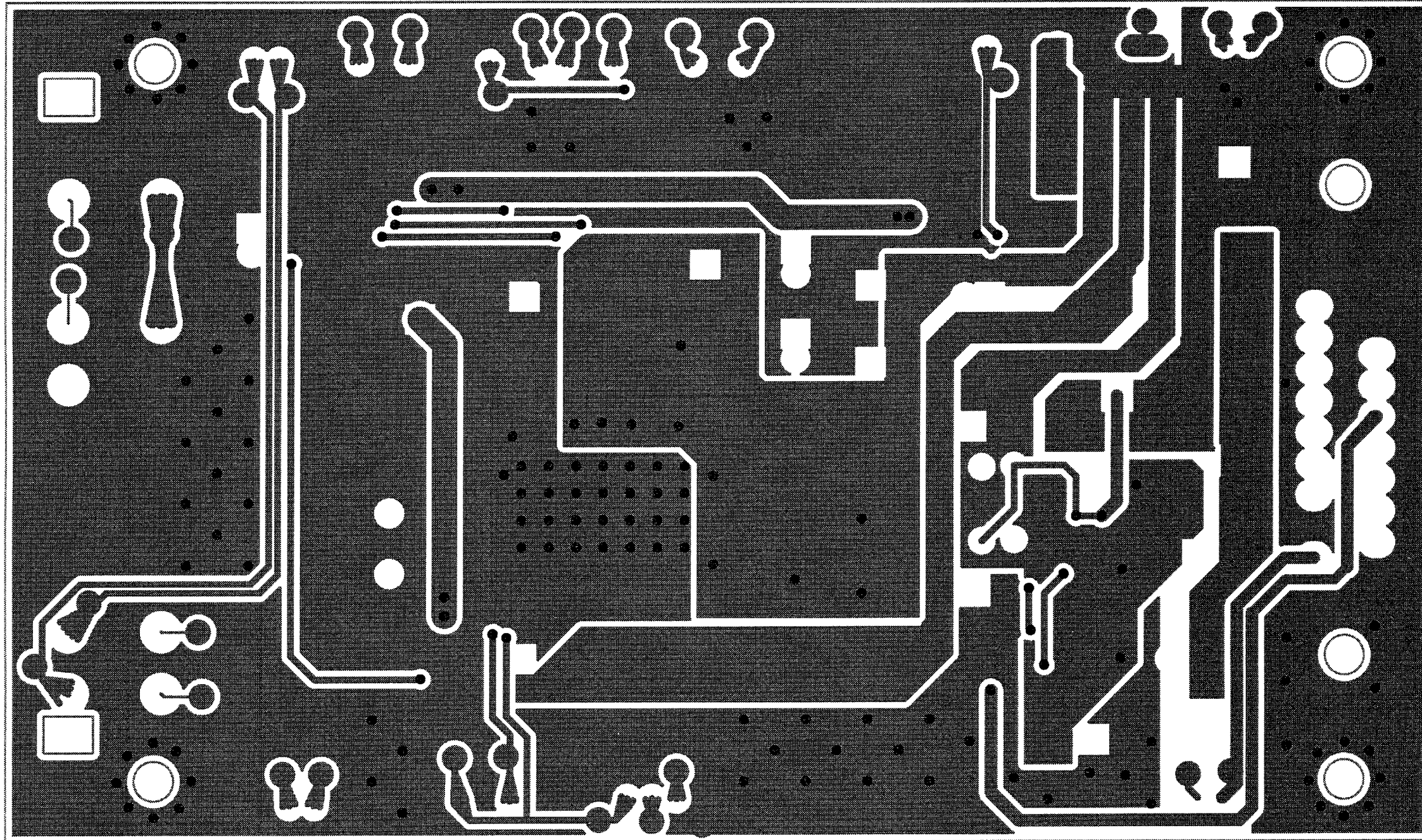


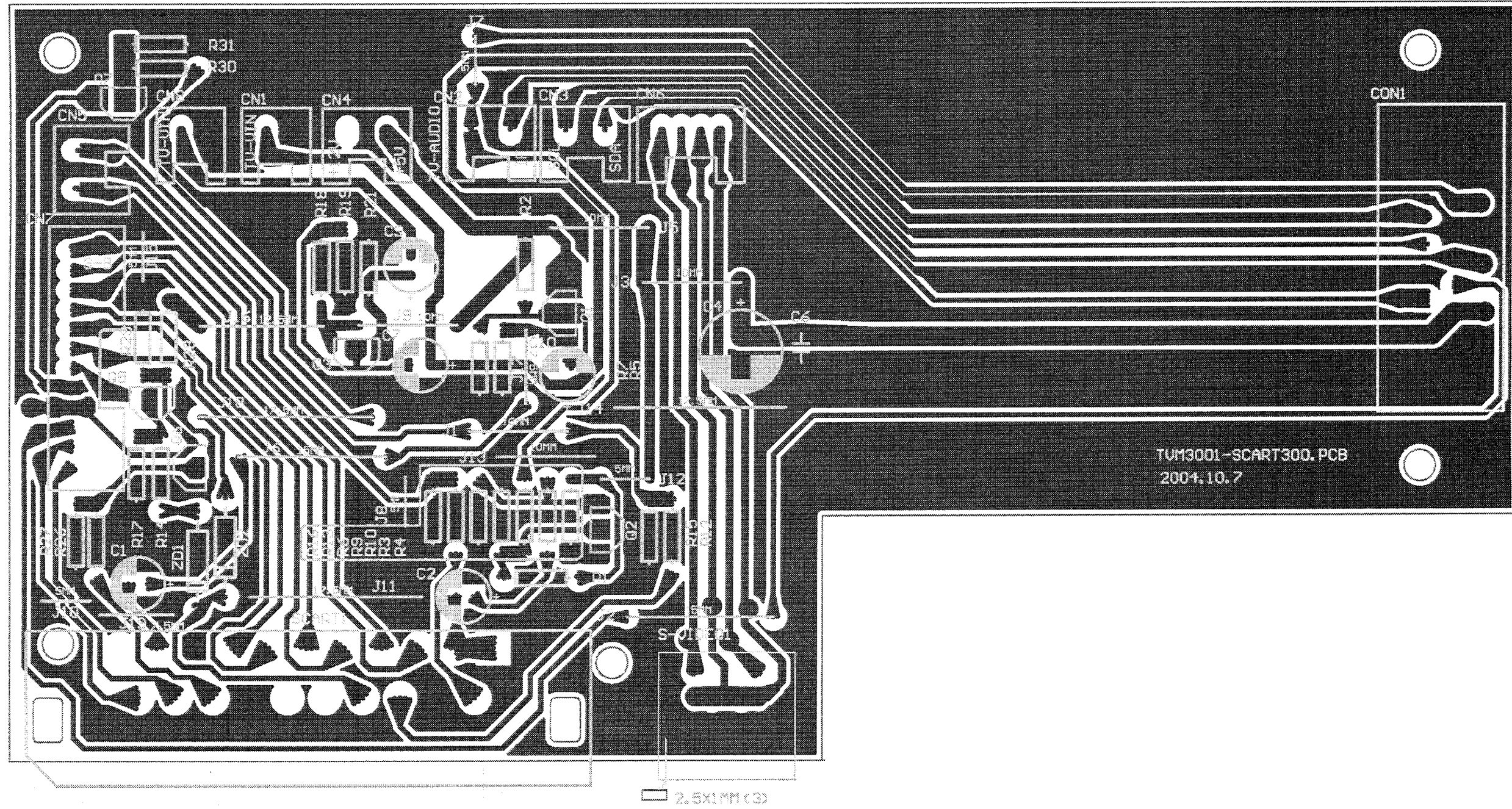
PCB BOARD

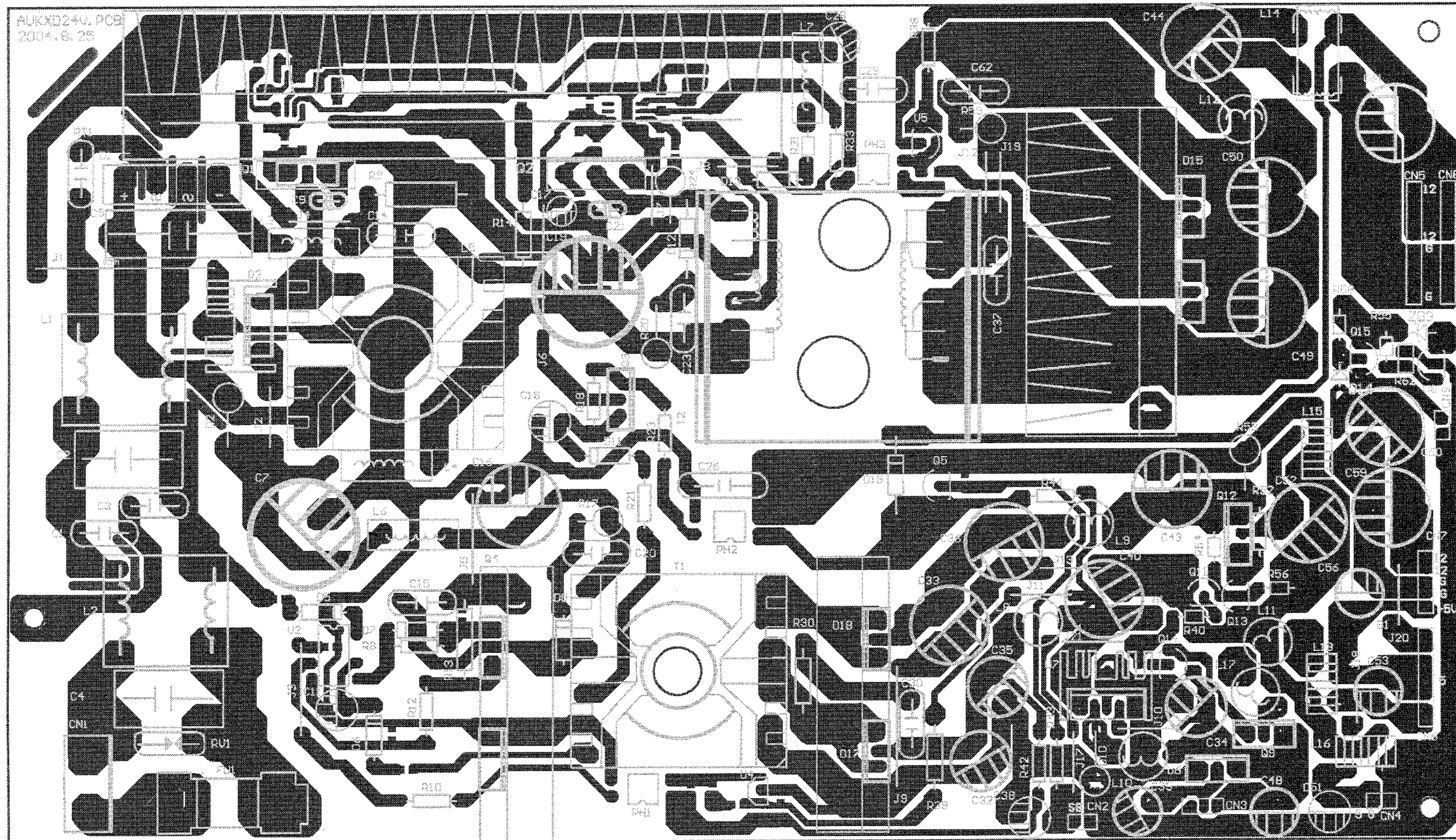


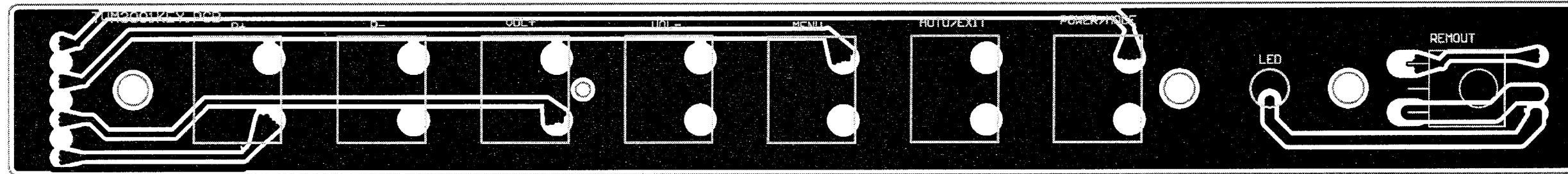




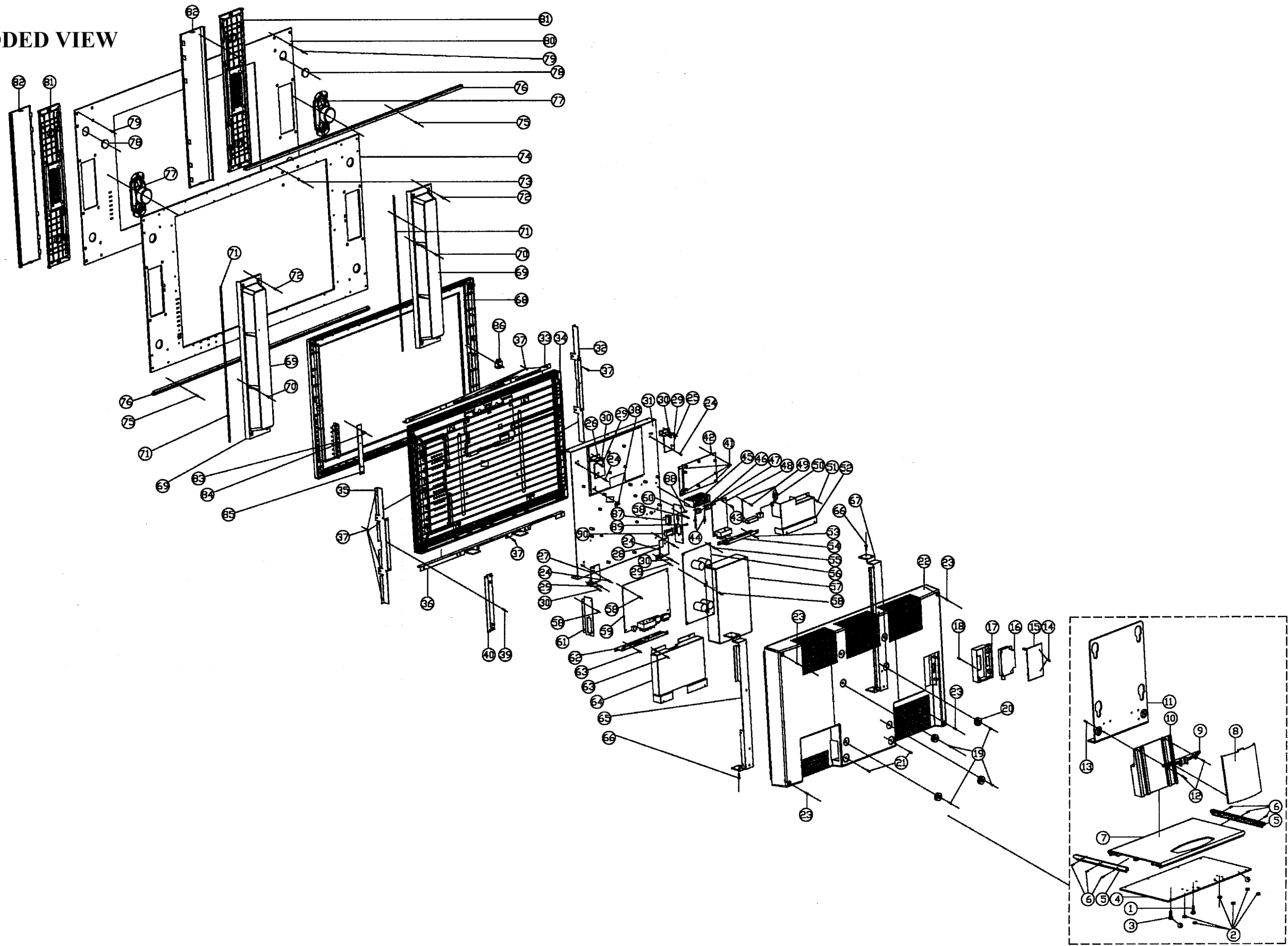








**EXPLODED VIEW**





## PART LIST

No	Part Name	Qty
1	Maching screw 4*6 KM (B)	7
2	Rubber foot 20*4	6
3	Maching screw 4*8 KM (B)	8
4	Support plate	1
5	Decorate panel	2
6	Self-tapping screw 3*10 P/T (B)	6
7	Support Base (AL)	1
8	Back door	1
9	Back cover	1
10	Support bracket (AL)	1
11	Support bracket (3)	1
12	Maching screw 4*8 B/M (W)	2
13	Maching screw 4*6 K/M (B)	6
14	Self-tapping screw 3*10 K/T (B)	2
15	Toner front cabinet	1
16	Toner main PCB	1
17	Toner rear cabinet	1
18	Self-tapping screw 3*8 K/A (B)	4
19	Maching screw 5*12 B/M (B)	4
20	Stator tach	4
21	Maching screw 5*16 B/M (B)	2
22	Rear Cabinet	1
23	Self-tapping screw 4*25 B/T (B)	4
24	Maching screw 4*6 K/M (B)	8
25	LCD bracket (Top left)	1
26	LCD bracket (top right)	1
27	LCD bracket (bottom left)	1
28	LCD bracket (bottom right)	1
29	Self-tapping screw 4*10 B/T (B)	4
30	Maching screw 4*6 P/M (B)	4
31	Shield can (1)	1
32	LCD bracket (right)	1

No	Part Name	Qty
33	LCD bracket (top)	1
34	LCD	1
35	LCD bracket (left)	1
36	LCD bracket (bottom)	1
37	Self-tapping screw 4*10 B/T (B)	16
38	Main PCB bracket	1
39	Maching screw 3*6 BM (B)	3
40	PCB bracket	1
41	Maching screw 3*6 BM (B)	4
42	PCB bracket (1)	1
43	Maching screw 3*8 BM (B)	4
44	Maching screw 3*6 BM (B)	4
45	Sink (1) (AL)	1
46	Sink Bracket (1)	1
47	Sink Bracket (2)	1
48	AMP PCB	1
49	Maching screw 3*6 BM (W)	5
50	Scart PCB	1
51	Mching screw 3*6 BM (W)	5
52	Shield Can (2)	1
53	Maching screw 3*6 BM (W)	2
54	PCB bracket (4)	1
55	Maching screw 3*6 BM (W)	4
56	Power PCB	1
57	Power PCB Shield can	1
58	Maching screw 3*6 BM (W)	12
59	Main PCB	1
60	PCB Bracket (6)	1
61	PCB Bracket (5)	1
62	PCB Bracket (3)	1
63	Maching screw 3*6 BM (W)	6
64	Power PCB shield can	1
65	Support bracket (1)	1
66	Maching screw 4*6 KM (B)	8
67	Support bracket (2)	1
68	Front cabinet (1)	1
69	Speaker back cabinet	2

No	Part Name	Qty
70	Self-tapping screw 4*10 B/T (B)	8
71	Eva 480*8*1.5	2
72	Self-tapping screw 4*18 B/T (B)	8
73	Self-tapping screw 3*10 P/T (B)	21
74	PMMA back plate	1
75	Self-tapping screw 2/6 O/T (B)	10
76	Decoration panel (AL)	2
77	Speaker	2
78	Speaker cover	2
79	Self-tapping screw 4*10 B/T (B)	8
80	PMMA front plate	1
81	Speaker front cabinet	2
82	Speaker WEB	2
83	Function knob	1
84	Self-tapping screw 3*6 B/T (B)	3
85	Key PCB	1
86	Power switch	1
87	Serial port PCB	1
88	Maching screw 2.6/6 K/M (B)	2
89	Maching screw 3*6 B/M (B)	2
90	AC socket	1

